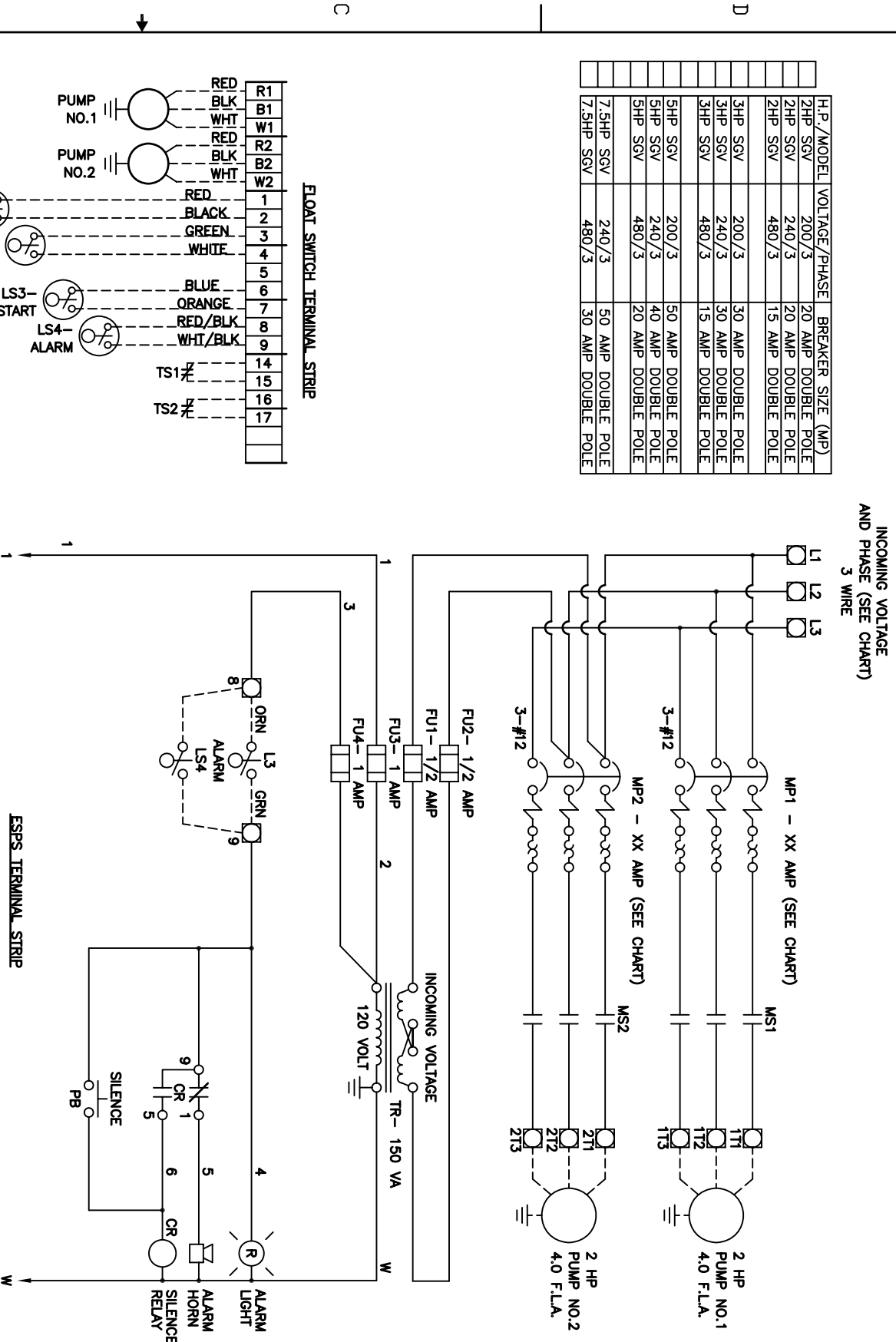


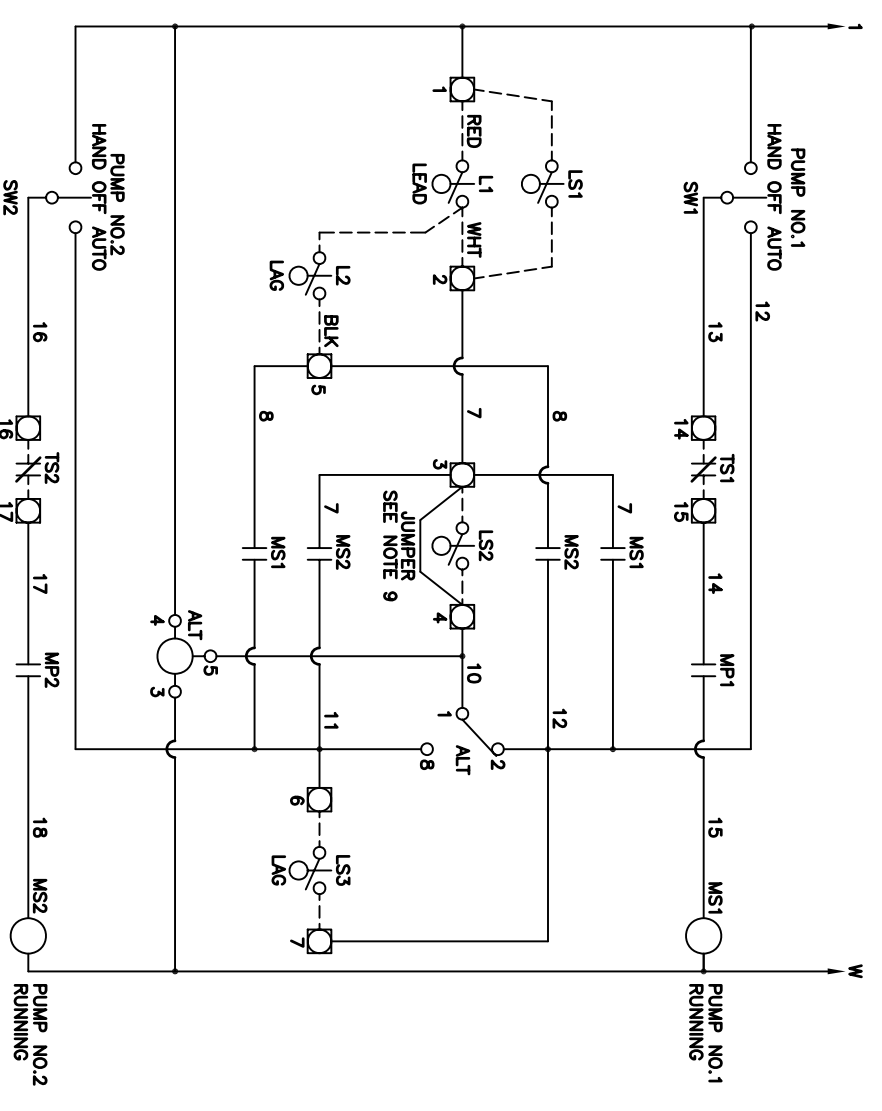
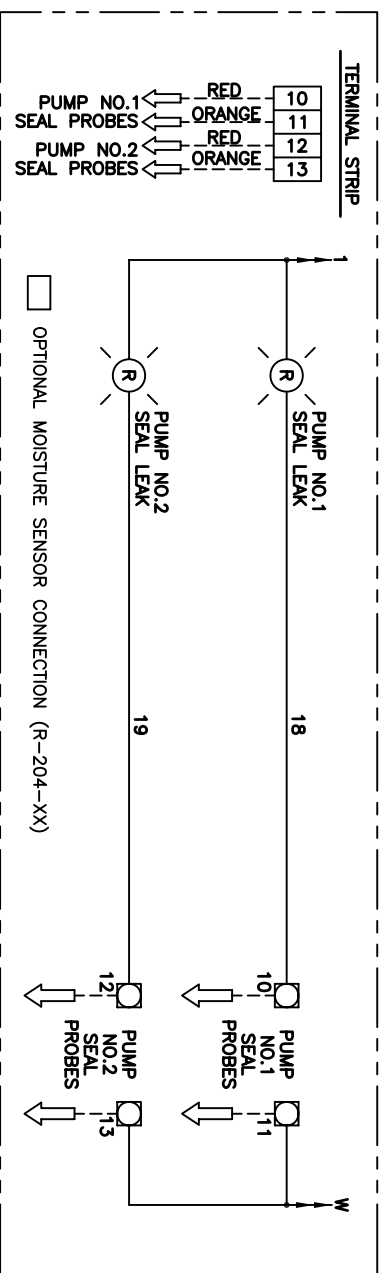
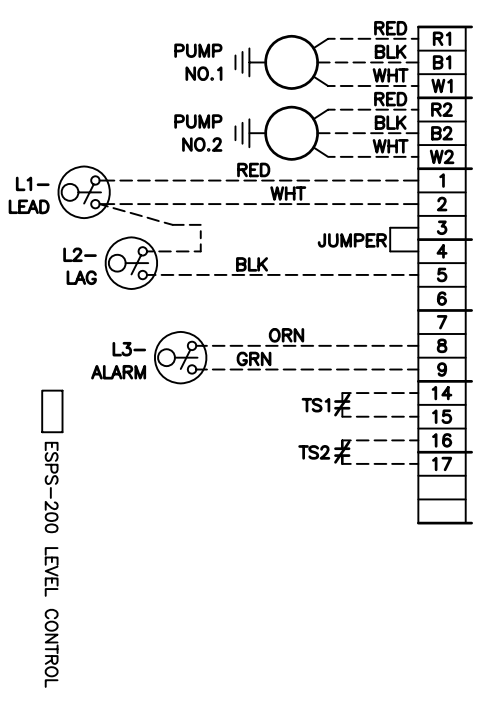
H.P. /MODEL	VOLTAGE/PHASE	BREAKER SIZE (NP)
2HP SGV	200/3	20 AMP DOUBLE POLE
2HP SGV	240/3	20 AMP DOUBLE POLE
2HP SGV	480/3	15 AMP DOUBLE POLE
3HP SGV	200/3	30 AMP DOUBLE POLE
3HP SGV	240/3	30 AMP DOUBLE POLE
3HP SGV	480/3	15 AMP DOUBLE POLE
5HP SGV	200/3	50 AMP DOUBLE POLE
5HP SGV	240/3	40 AMP DOUBLE POLE
5HP SGV	480/3	20 AMP DOUBLE POLE
7.5HP SGV	240/3	50 AMP DOUBLE POLE
7.5HP SGV	480/3	30 AMP DOUBLE POLE

INCOMING VOLTAGE AND PHASE (SEE CHART)
3 WIRE



- NOTES:
- 1.) PANEL GROUND TERMINAL MUST BE CONNECTED TO EARTH GROUND.
 - 2.) FACTORY WIRING IS SHOWN _____
 - 3.) INSTALLER MUST PROVIDE A MAIN DISCONNECTING DEVICE WITH SHORT CIRCUIT PROTECTION FOR THIS ELECTRICAL ASSEMBLY.
 - 4.) RECOMMENDED TIGHTENING TORQUES FOR TERMINALS: HIGH VOLTAGE POWER 30 POUND INCHES. 120 VOLT POWER, CONTROL & LOW VOLTAGE POWER 20 POUND INCHES.
 - 5.) THIS CIRCUIT DIAGRAM IS DRAWN WITH NO ELECTRICAL POWER. THAT IS, WITH ALL COMPONENTS IN DE-ENERGIZED STATE.
 - 6.) ALL LEVEL SENSING SWITCHES ARE SHOWN WITH NO LIQUID IN TANK OR WELL.

□ FLOATFREE LEVEL CONTROL
□ INDIVIDUAL FLOAT LEVEL CONTROL



THIS DRAWING IS APPROVED FOR UNCONTROLLED DISTRIBUTION

TITLE

PANEL, STEALTH, R-202&204-SGV-3PHASE

CAGE NO
96046

AS A RESULT OF BARNES CONSTANT PRODUCT IMPROVEMENT PROGRAM, PRODUCT CHANGES MAY OCCUR. AS SUCH, BARNES RESERVES THE RIGHT TO CHANGE PRODUCT WITHOUT PRIOR WRITTEN NOTIFICATION

DWG NO

CD118811

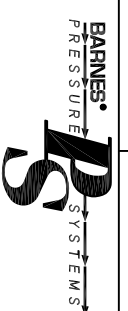
REV

B CRANE

PUMPS & SYSTEMS

WWW.BARNES.PS.COM

SHEET 1 OF 1



THIS PRINT IS AND CONTAINS PROPRIETARY INFORMATION OWNED EXCLUSIVELY BY CRANE PUMPS & SYSTEMS, INC. THIS RESTRICTION INCLUDES, BUT IS NOT LIMITED TO THE CONDITION THAT THIS PRINT WILL ONLY BE USED AS A RECORD OR TO IDENTIFY OR INSPECT PARTS OR FOR OTHER INFORMATION PURPOSES, AND WILL NOT BE USED TO MANUFACTURE OR PROCURE THE MANUFACTURE OF THE PARTS SHOWN IN THIS PRINT BY ANY OTHER SOURCE THAN CRANE PUMPS & SYSTEMS, INC.