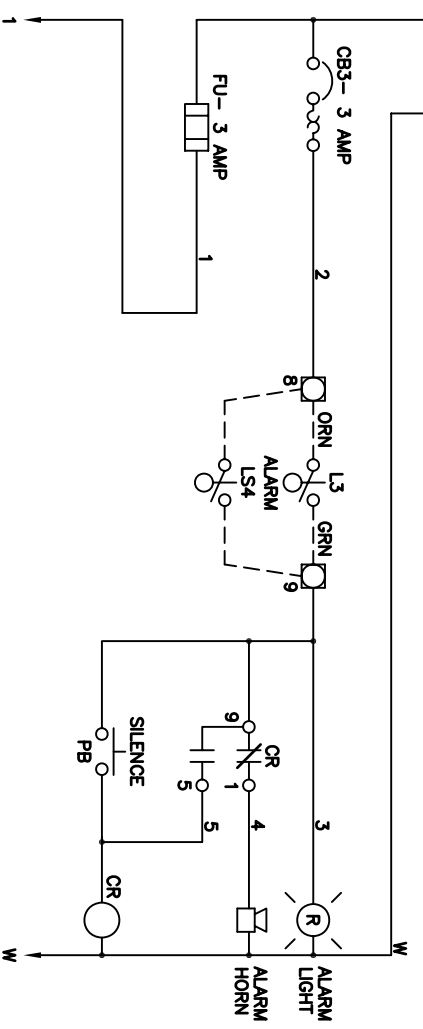
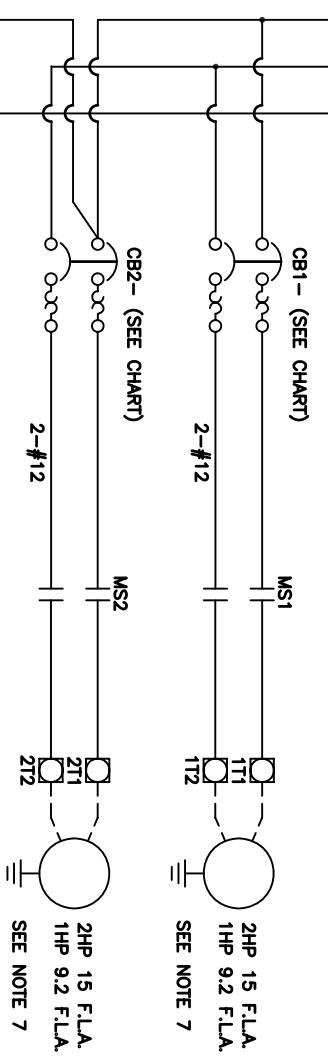


H.P./MODEL	VOLTAGE/PHASE	BREAKER SIZE (CB)
1HP SGP	240/1	25 AMP DOUBLE POLE
2HP OGP	240/1	25 AMP DOUBLE POLE
2HP OGV	240/1	25 AMP DOUBLE POLE

INCOMING VOLTAGE AND PHASE (SEE CHART)  
3 WIRE  
L1 L2 N



- NOTES:
- 1.) PANEL GROUND TERMINAL MUST BE CONNECTED TO EARTH GROUND.
  - 2.) FACTORY WIRING IS SHOWN \_\_\_\_\_
  - 3.) INSTALLER MUST PROVIDE A MAIN DISCONNECTING DEVICE WITH SHORT CIRCUIT PROTECTION FOR THIS ELECTRICAL ASSEMBLY.
  - 4.) RECOMMENDED TIGHTENING TORQUES FOR TERMINALS HIGH VOLTAGE POWER 30 POUND INCHES. 120 VOLT POWER, CONTROL & LOW VOLTAGE POWER 20 POUND INCHES.
  - 5.) THIS CIRCUIT DIAGRAM IS DRAWN WITH NO ELECTRICAL POWER, THAT IS, WITH ALL COMPONENTS IN DE-ENERGIZED STATE.
  - 6.) ALL LEVEL SENSING SWITCHES ARE SHOWN WITH NO LIQUID IN TANK OR WELL.
  - 7.) PUMP MOTOR INCLUDES INTEGRAL OVERLOAD PROTECTIVE DEVICE.
  - 8.) REMOVE JUMPER PROVIDED FOR OPTIONAL CLOSED VALVE PROTECTION.

THIS PRINT IS AND CONTAINS PROPRIETARY INFORMATION OWNED EXCLUSIVELY BY CRANE PUMPS & SYSTEMS, INC. THIS RESTRICTION INCLUDES, BUT IS NOT LIMITED TO THE CONDITION THAT THIS PRINT WILL ONLY BE USED AS A RECORD OR TO IDENTIFY OR INSPECT PARTS OR FOR OTHER INFORMATION PURPOSES, AND WILL NOT BE USED TO MANUFACTURE OR PROCURE THE MANUFACTURE OF THE PARTS SHOWN IN THIS PRINT BY ANY OTHER SOURCE THAN CRANE PUMPS & SYSTEMS, INC.

THIS DRAWING IS APPROVED FOR UNCONTROLLED DISTRIBUTION

AS A RESULT OF BARNES CONSTANT PRODUCT IMPROVEMENT PROGRAM, PRODUCT CHANGES MAY OCCUR. AS SUCH, BARNES RESERVES THE RIGHT TO CHANGE PRODUCT WITHOUT PRIOR WRITTEN NOTIFICATION

WWW.BARNES-PS.COM

TITLE

PANEL, STEALTH-O-202-22

CAGE NO

96046

DWG NO

CD118805

REV

B

CRANE PUMPS & SYSTEMS

BARNES PRESURE SYSTEMS

