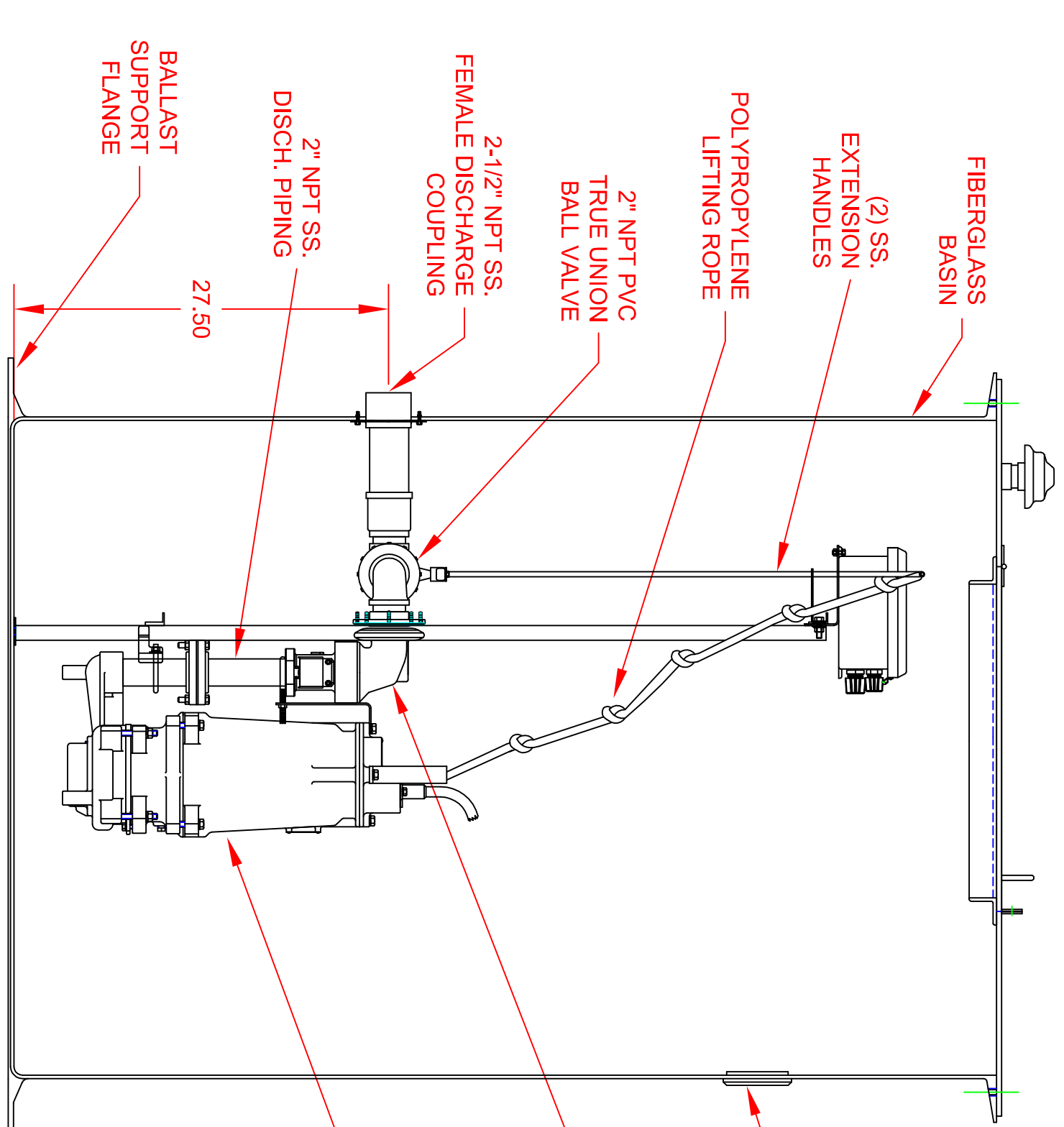
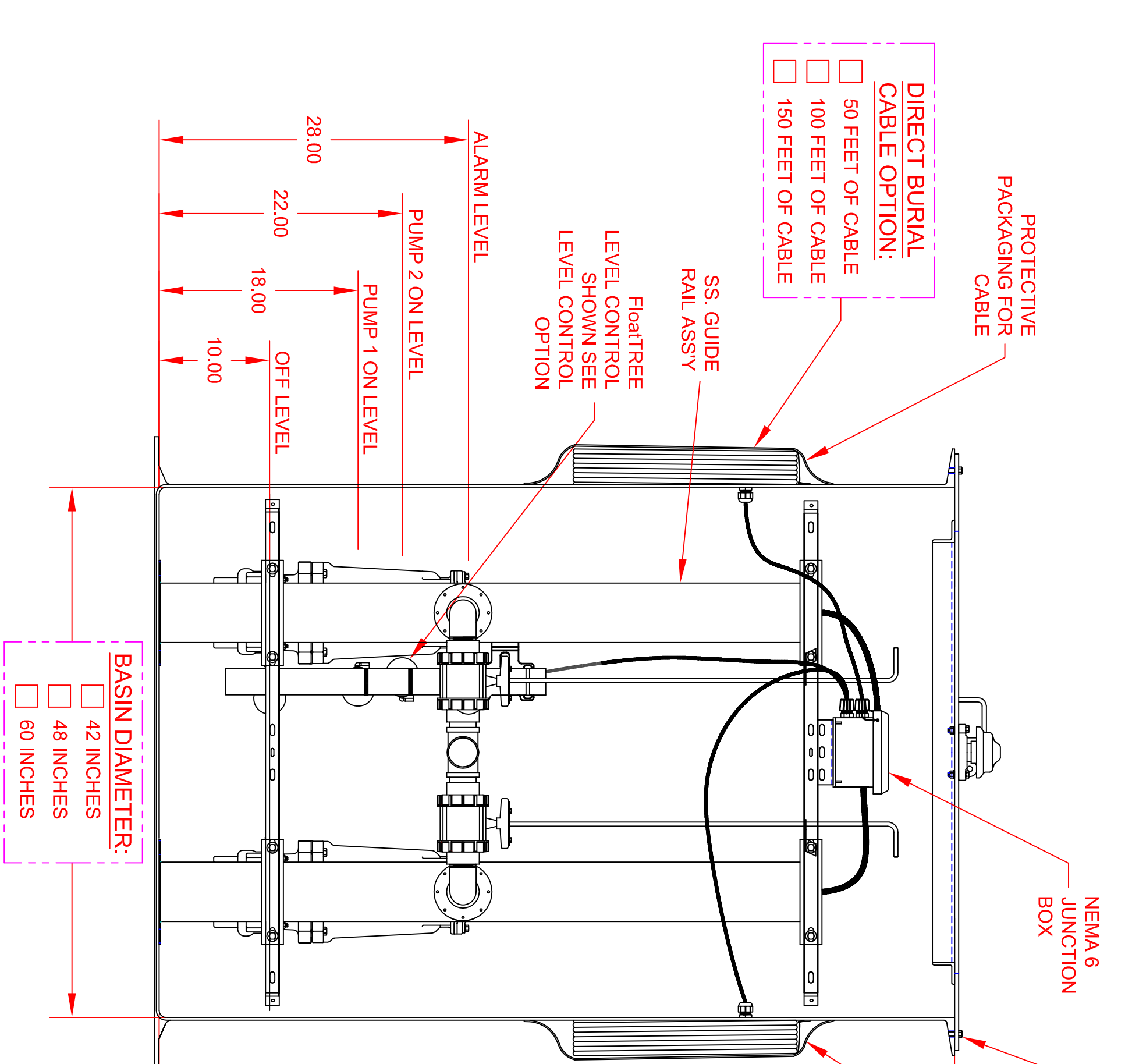


- DIRECT BURIAL CABLE OPTION:**
- 50 FEET OF CABLE
  - 100 FEET OF CABLE
  - 150 FEET OF CABLE

- BASIN DEPTH:**
- 48 INCHES
  - 60 INCHES
  - 72 INCHES
  - 84 INCHES
  - 90 INCHES
  - 96 INCHES
  - 108 INCHES
  - 120 INCHES
  - 132 INCHES
  - 144 INCHES

- BASIN DIAMETER:**
- 42 INCHES
  - 48 INCHES
  - 60 INCHES



- INLET PIPE FITTING SHIPPED LOOSE FOR FIELD INSTALLATION:**
- 4" PVC Sch. 40-80
  - 4" PVC SDR-35
  - 4" C.I. CAULK HUB
  - 6" PVC Sch. 40-80
  - 6" C.I. CAULK HUB
  - 8" C.I. CAULK HUB

- 2" NPT C.I. RESILIENT SEAT FLAPPER CHECK VALVE WITH INTEGRATED ANTI-SIPHON:**

**PUMP AND REMOVABLE DISCHARGE PIPING SHIPPED SEPARATE 3.5, 7.5 HP SGV SHOWN**

**NOTES:**

- 1) ALL DIMENSIONS TO BE ± 1/4" UNLESS OTHERWISE SPECIFIED.
- 2) INTERMEDIATE SUPPORT SUPPLIED FOR DEPTHS 12 FT. AND DEEPER.
- 3) CONSULT FACTORY FOR OTHER DEPTHS.
- 4) 5 HORSEPOWER 1 PHASE SGV PUMPS ARE NOT AVAILABLE PRE-WIRED.



THIS PRINT IS AND CONTAINS PROPRIETARY INFORMATION OWNED EXCLUSIVELY BY CRANE PUMPS & SYSTEMS, INC. THIS RESTRICTION INCLUDES, BUT IS NOT LIMITED TO THE CONDITION THAT THIS PRINT WILL ONLY BE USED AS A RECORD OR TO IDENTIFY OR INSPECT PARTS OR FOR OTHER INFORMATION PURPOSES, AND WILL NOT BE USED TO MANUFACTURE OR PRODUCE THE MANUFACTURE OF THE PARTS SHOWN IN THIS PRINT BY ANY OTHER SOURCE THAN CRANE PUMPS & SYSTEMS, INC.

THIS DRAWING IS APPROVED FOR UNCONTROLLED DISTRIBUTION

TITLE

**DUPLEX, JBOX, 3,5,7.5 HP SGV**

CAGE NO

**96046**

AS A RESULT OF BARNES CONSTANT PRODUCT IMPROVEMENT PROGRAM, PRODUCT CHANGES MAY OCCUR. AS SUCH, BARNES RESERVES THE RIGHT TO CHANGE PRODUCT WITHOUT PRIOR WRITTEN NOTIFICATION

DWG NO

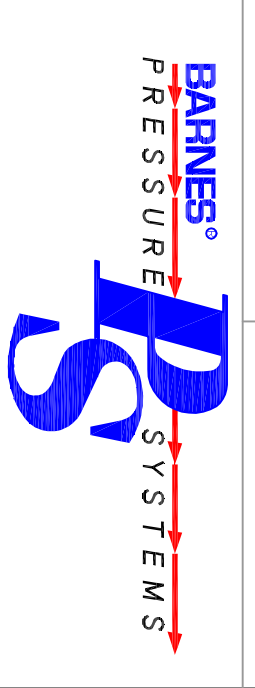
**CD116909**

REV

**A**

**CRANE**

PUMPS & SYSTEMS



WWW.BARNESPUMPS.COM

SHEET 1 OF 1