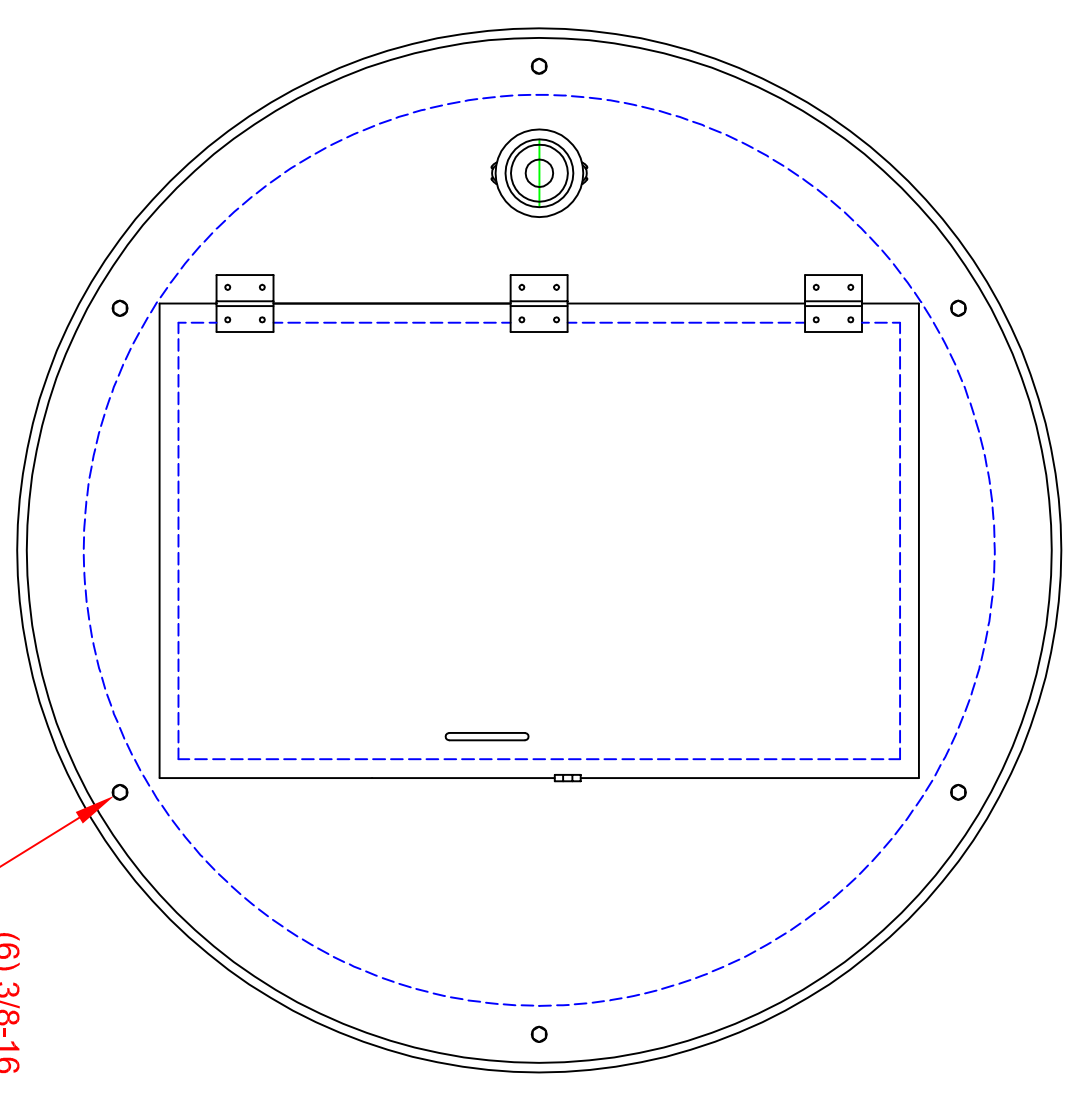
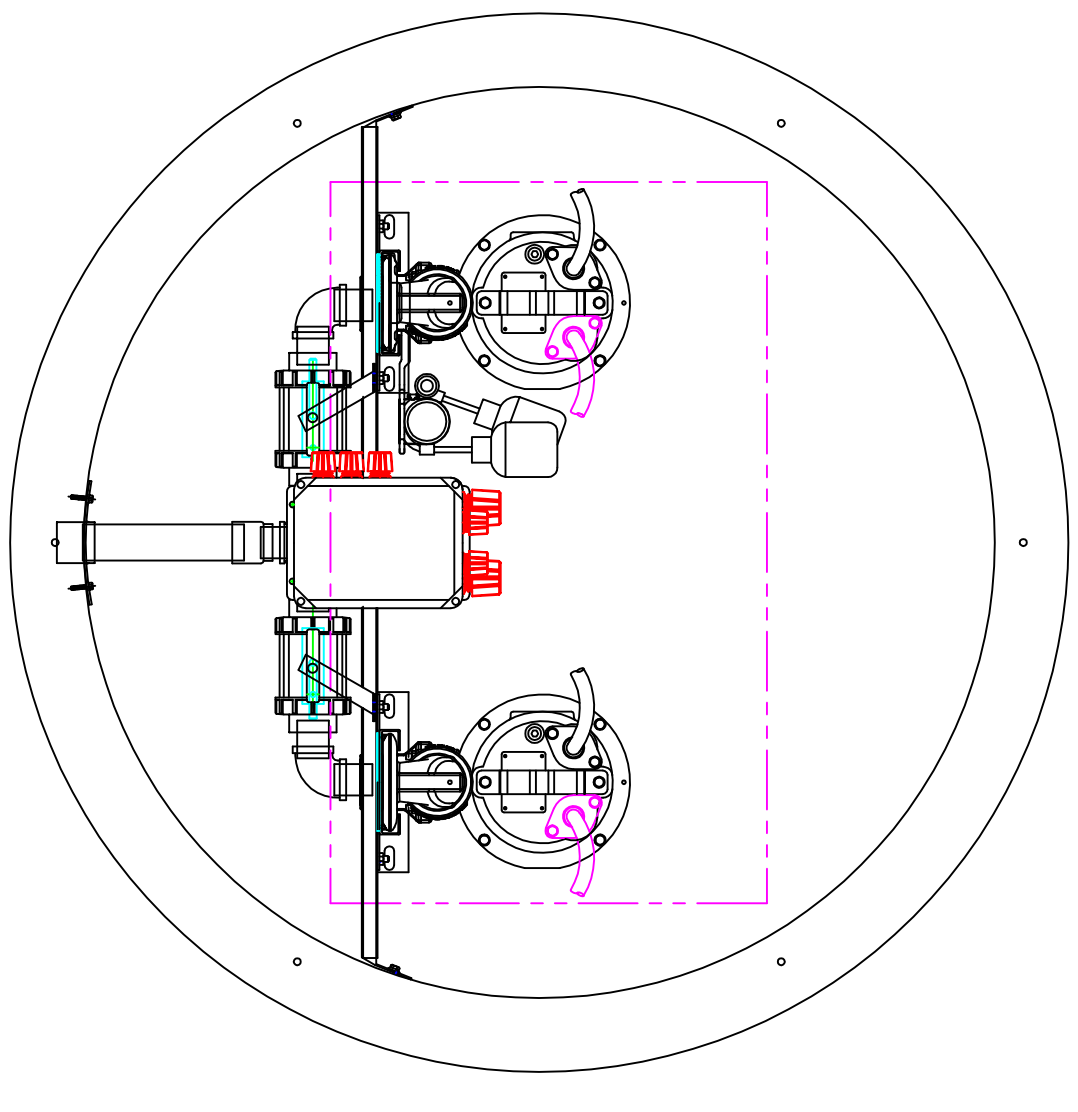


LEVEL CONTROL OPTION:

UNIVERSAL Floattree

ESPS-200



DIRECT BURIAL CABLE OPTION:

50 FEET OF CABLE

100 FEET OF CABLE

150 FEET OF CABLE

BASIN DEPTH:

48 INCHES

60 INCHES

72 INCHES

84 INCHES

90 INCHES

96 INCHES

108 INCHES

120 INCHES

132 INCHES

144 INCHES

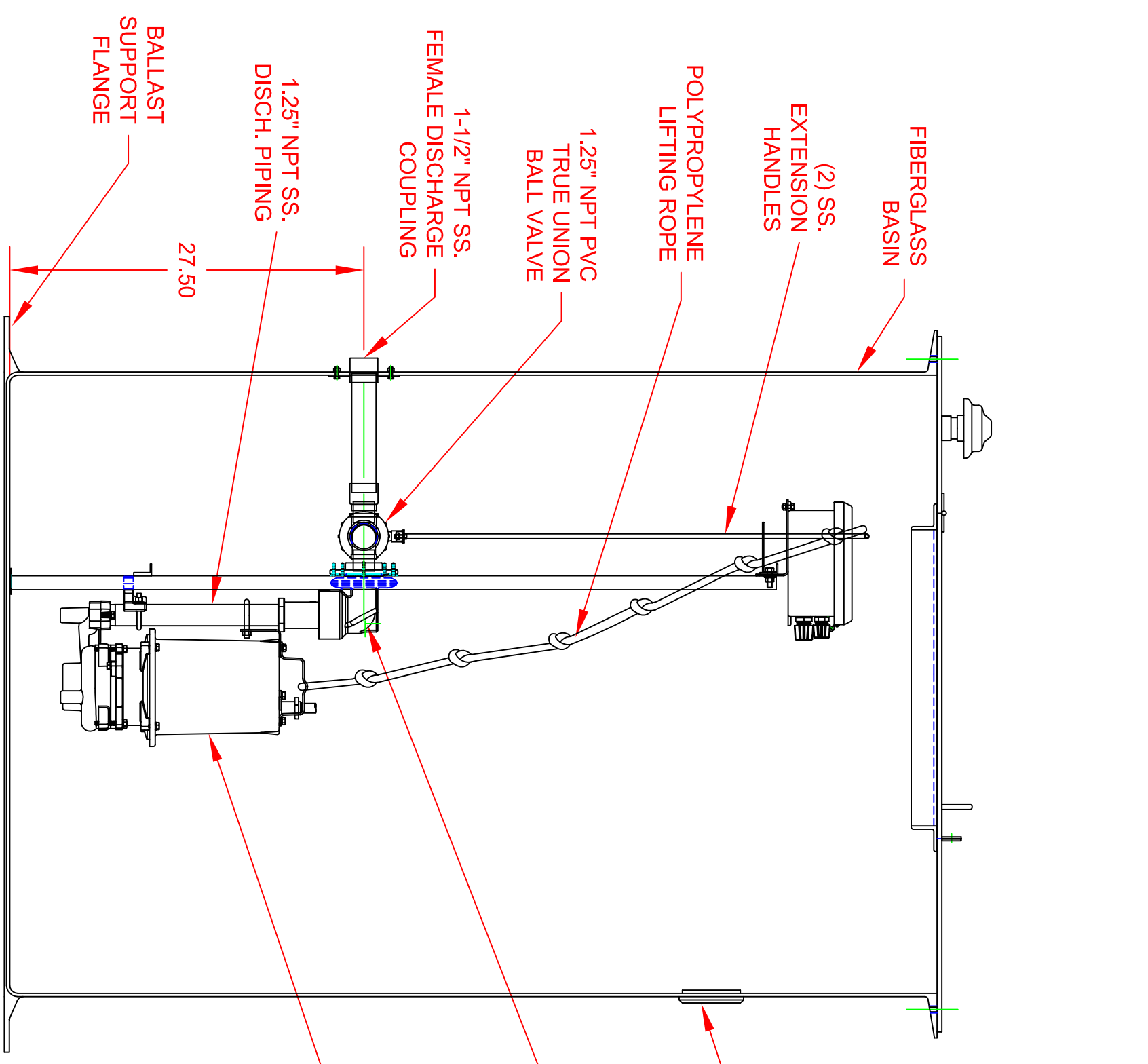
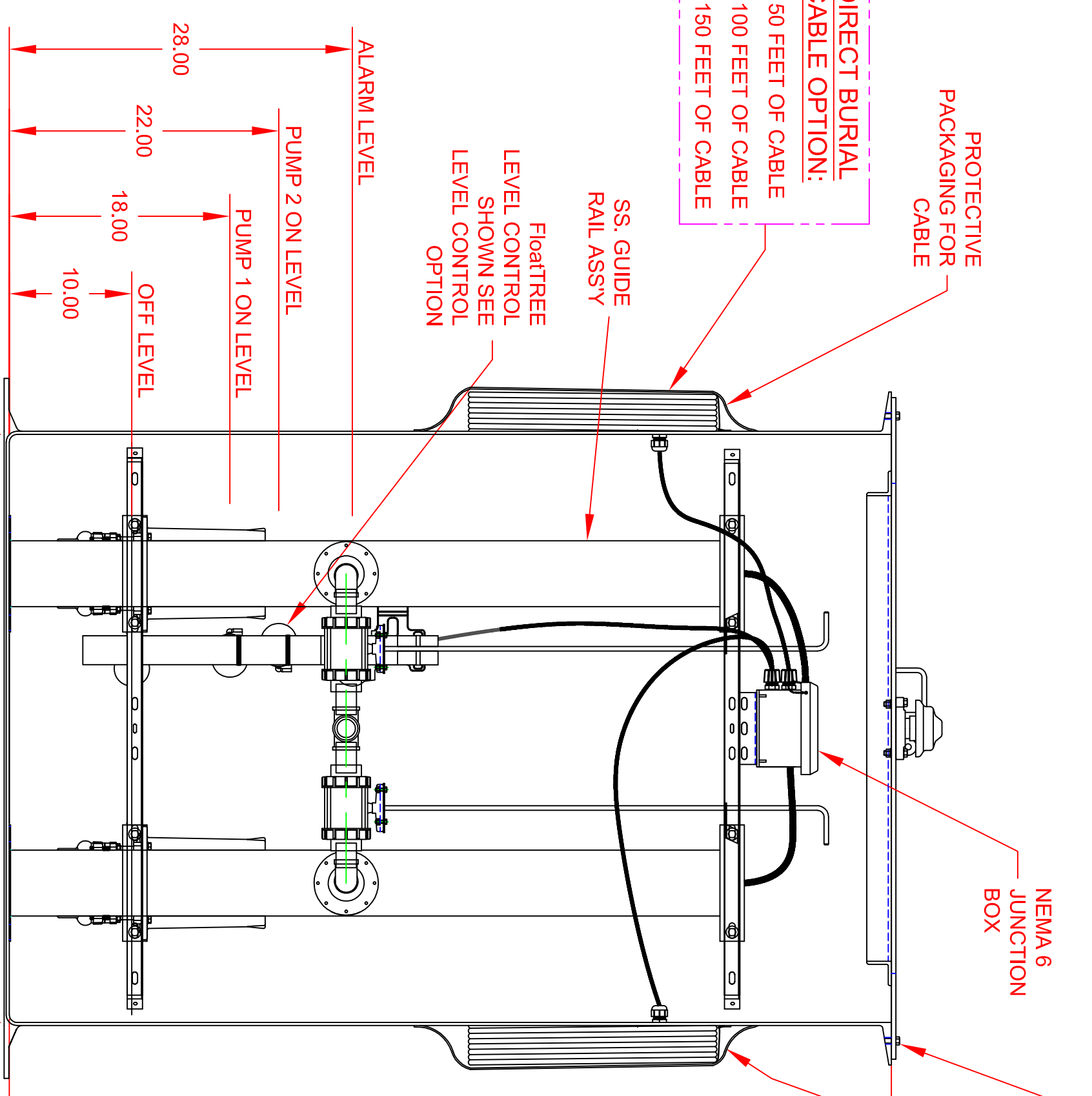
BASIN DIAMETER:

36 INCHES

42 INCHES

48 INCHES

60 INCHES



INLET PIPE FITTING SHIPPED LOOSE FOR FIELD INSTALLATION

4" PVC Sch. 40-80

4" PVC SDR-35

4" C.I. CAULK HUB

6" PVC Sch. 40-80

6" C.I. CAULK HUB

8" C.I. CAULK HUB

1.25" NPT C.I. RESILIENT SEAT FLAPPER CHECK VALVE WITH INTEGRATED ANTI-SIPHON

PUMP AND REMOVABLE DISCHARGE PIPING SHIPPED SEPARATE 2 HP SGV SHOWN

- NOTES:**
- 1) ALL DIMENSIONS TO BE ± 1/4" UNLESS OTHERWISE SPECIFIED.
 - 2) INTERMEDIATE SUPPORT SUPPLIED FOR DEPTHS 12 FT. AND DEEPER.
 - 3) CONSULT FACTORY FOR OTHER DEPTHS.
 - 4) 5 HORSEPOWER 1 PHASE SGV PUMPS ARE NOT AVAILABLE PRE-WIRED.

BUG FREE VENT

STEEL 3/4 HATCH COVER

ALUMINUM 3/4 HATCH COVER

SOLID FIBERGLASS COVER

AVAILABLE ON 36" & 42" DIAMETER ONLY

AVAILABLE ON 36" & 42" DIAMETER ONLY

AVAILABLE ON 36" & 42" DIAMETER ONLY

BUG FREE VENT

STEEL HATCH COVER

ALUMINUM HATCH COVER

AVAILABLE ON 48" & 60" DIAMETER ONLY

AVAILABLE ON 48" & 60" DIAMETER ONLY

PUMP OPTION:

SGPC 1HP

OGP 2HP

OGV 2HP

SGV 2HP

AVAILABLE ON 36" & 42" DIAMETER ONLY

AVAILABLE ON ALL DIAMETERS LISTED



THIS DRAWING IS APPROVED FOR UNCONTROLLED DISTRIBUTION

THIS PRINT IS AND CONTAINS PROPRIETARY INFORMATION OWNED EXCLUSIVELY BY CRANE PUMPS & SYSTEMS, INC. THIS RESTRICTION INCLUDES, BUT IS NOT LIMITED TO THE CONDITION THAT THIS PRINT WILL ONLY BE USED AS A RECORD OR TO IDENTIFY OR INSPECT PARTS OR FOR OTHER INFORMATION PURPOSES, AND WILL NOT BE USED TO MANUFACTURE OR PRODUCE THE MANUFACTURE OF THE PARTS SHOWN IN THIS PRINT BY ANY OTHER SOURCE THAN CRANE PUMPS & SYSTEMS, INC.

TITLE

DUPLEX, JBOX, SGV, OGV, OGP, SGPC

CAGE NO

96046

DWG NO

CD116908

REV

A

CRANE

PUMPS & SYSTEMS

