

8

7

6

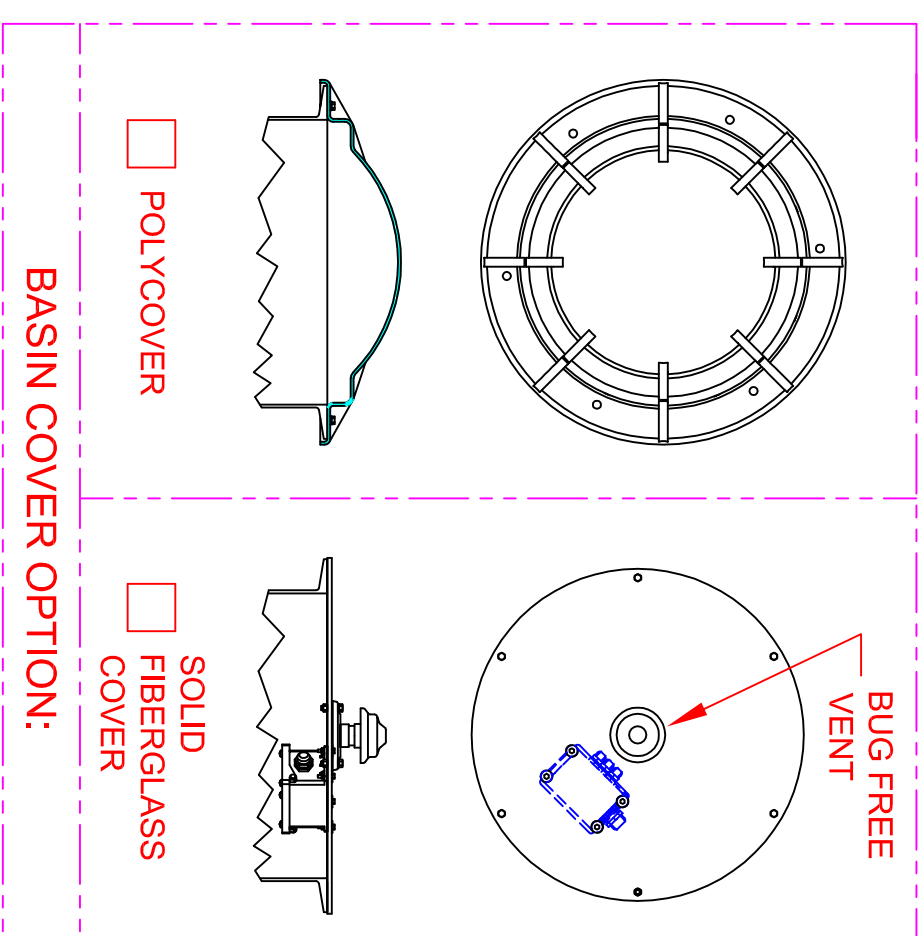
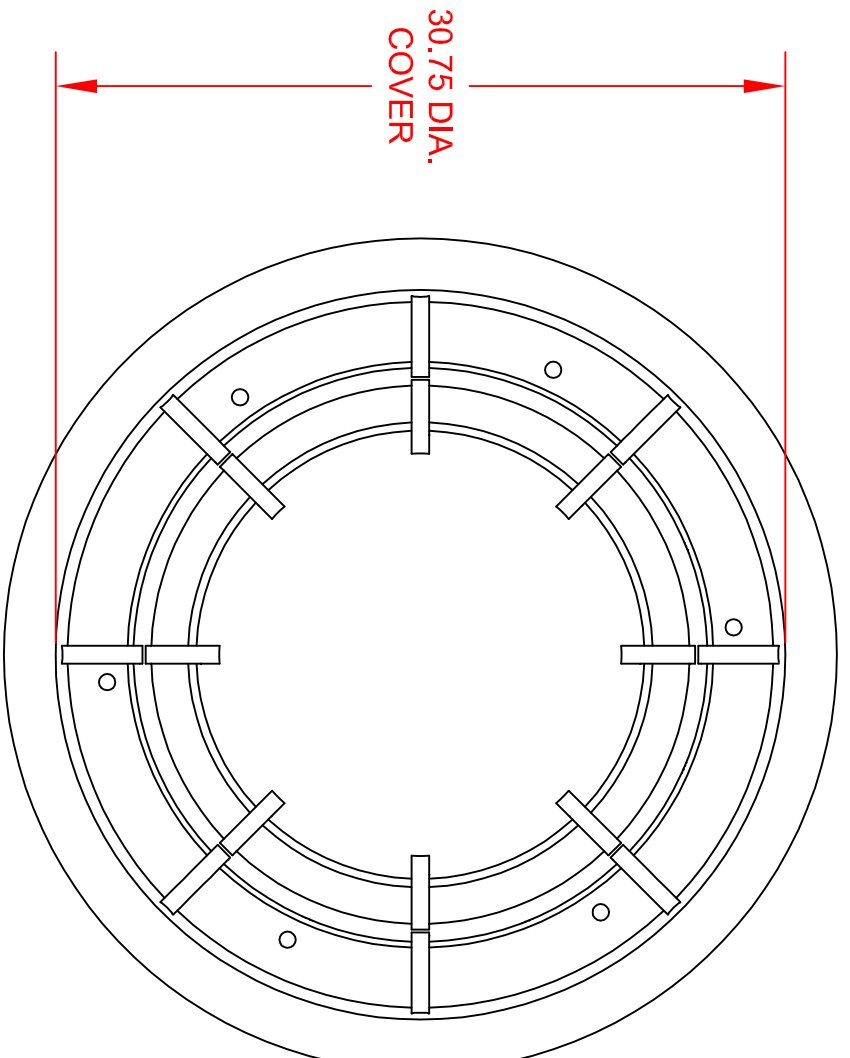
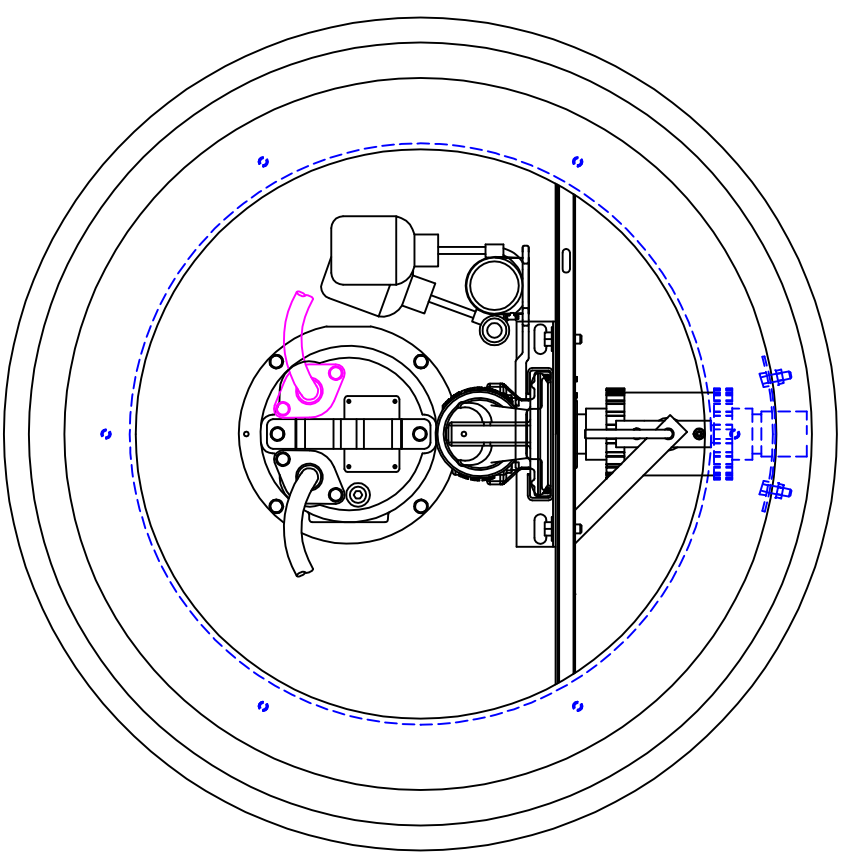
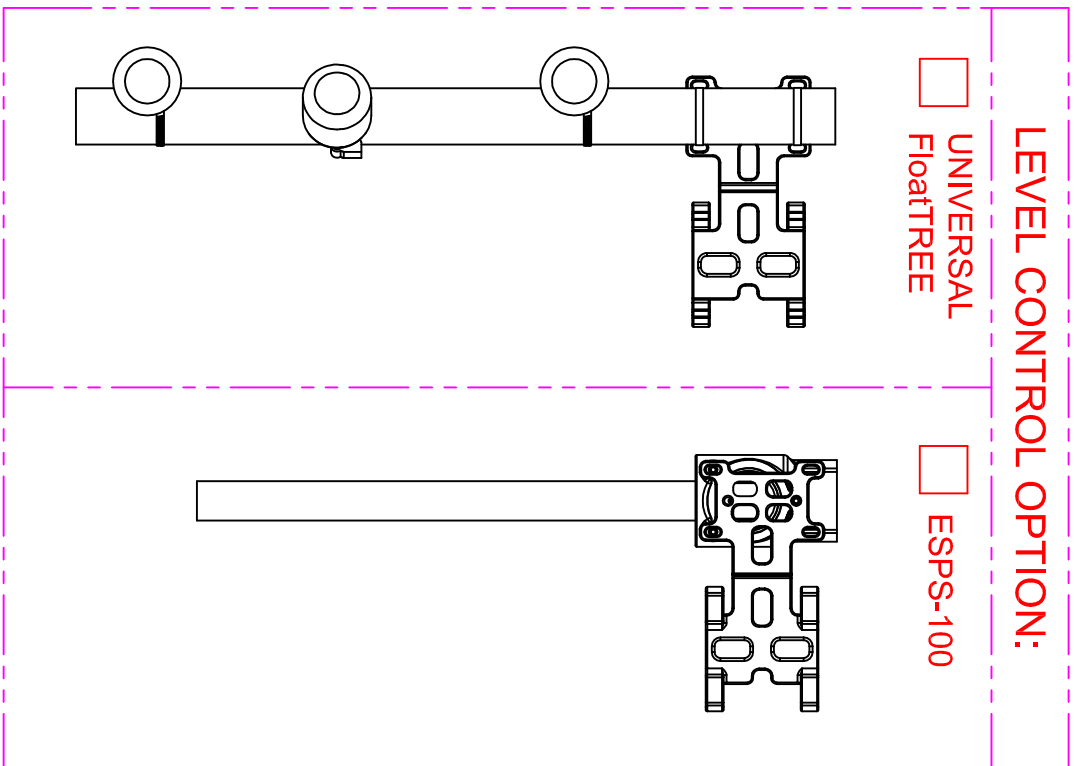
5

4

3

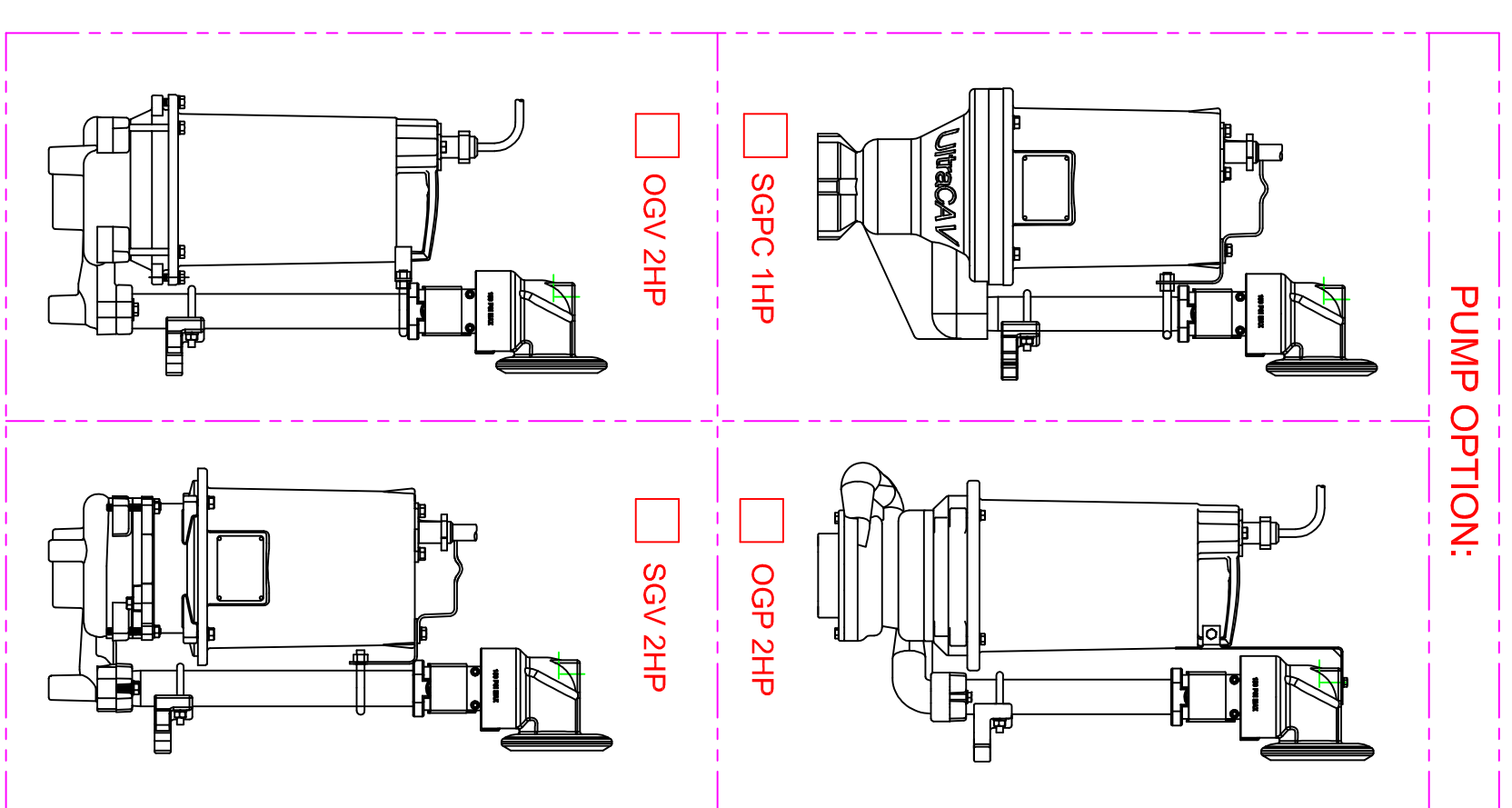
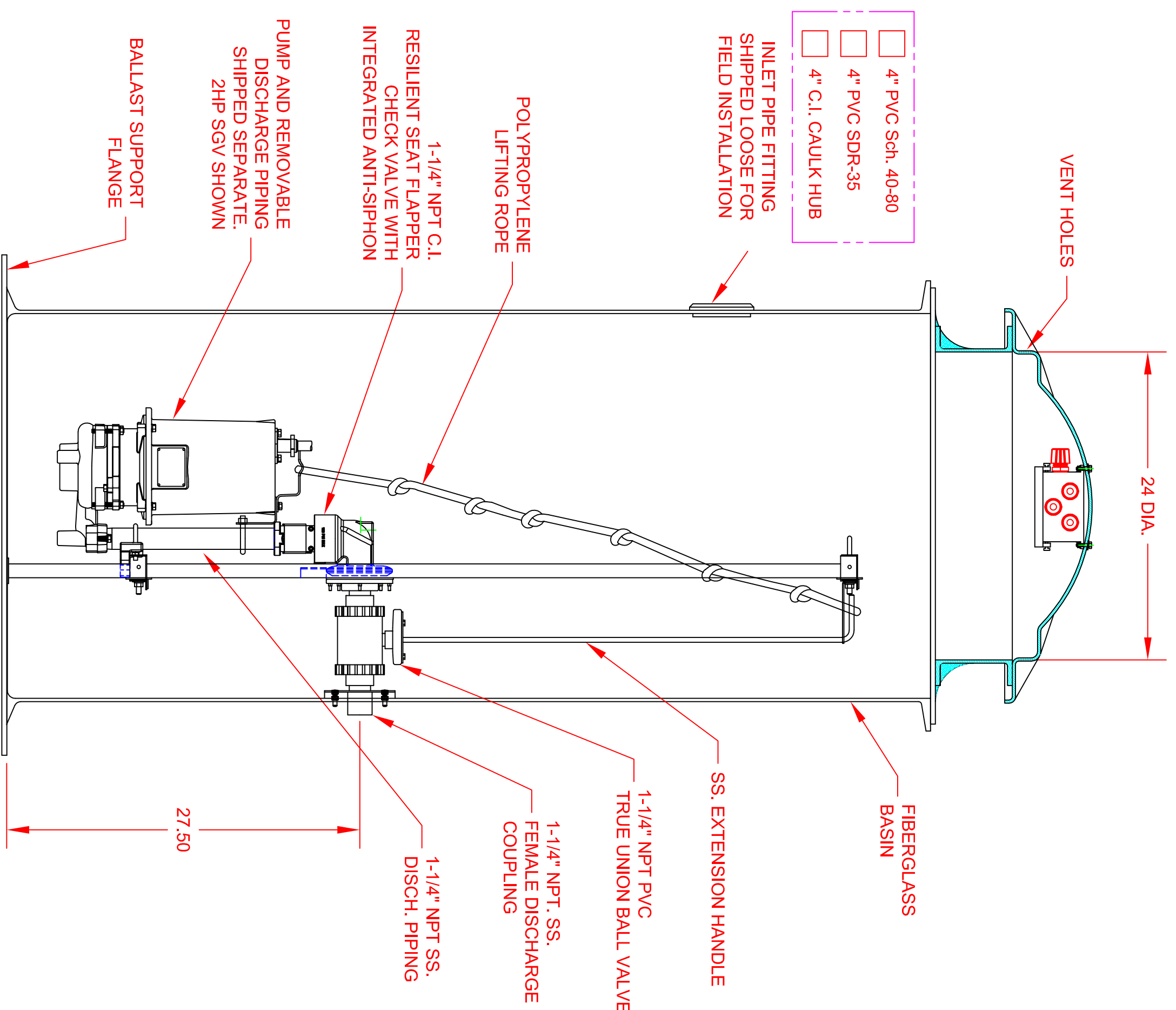
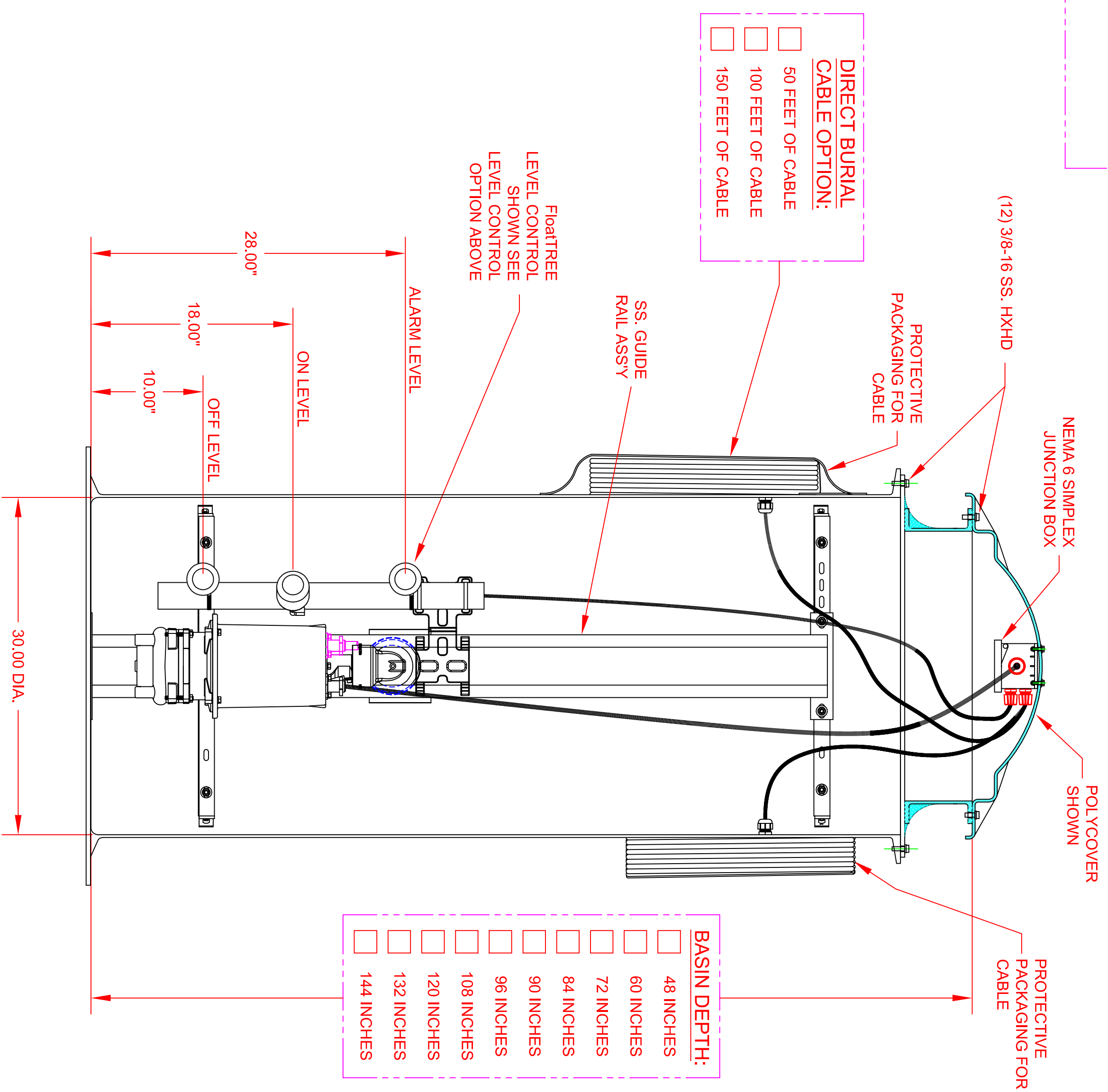
2

1



NOTES:

- 1) ALL DIMENSIONS TO BE ± 1/4" UNLESS OTHERWISE SPECIFIED.
- 2) INTERMEDIATE SUPPORT SUPPLIED FOR DEPTHS 12 FT. AND DEEPER.
- 3) CONSULT FACTORY FOR OTHER DEPTHS



A

B

C

D

A

B

C

D

8

7

6

5

4

3

2

1

THIS PRINT IS AND CONTAINS PROPRIETARY INFORMATION OWNED EXCLUSIVELY BY CRANE PUMPS & SYSTEMS, INC. THIS RESTRICTION INCLUDES, BUT IS NOT LIMITED TO THE CONDITION THAT THIS PRINT WILL ONLY BE USED AS A RECORD OR TO IDENTIFY OR INSPECT PARTS OR FOR OTHER INFORMATION PURPOSES, AND WILL NOT BE USED TO MANUFACTURE OR PROCURE THE MANUFACTURE OF THE PARTS SHOWN IN THIS PRINT BY ANY OTHER SOURCE THAN CRANE PUMPS & SYSTEMS, INC.

THIS DRAWING IS APPROVED FOR UNCONTROLLED DISTRIBUTION

AS A RESULT OF BARNES CONSTANT PRODUCT IMPROVEMENT PROGRAM, PRODUCT CHANGES MAY OCCUR. AS SUCH, BARNES RESERVES THE RIGHT TO CHANGE PRODUCT WITHOUT PRIOR WRITTEN NOTIFICATION

WWW.BARNESPUMPS.COM

SHEET 1 OF 1

TITLE

SIMPLEX, 30R" BASIN, PW-JBOX, SGV, OGV, OGP, SGPC

CAGE NO

96046

DWG NO

CD116903

REV

A

CRANE

PUMPS & SYSTEMS

