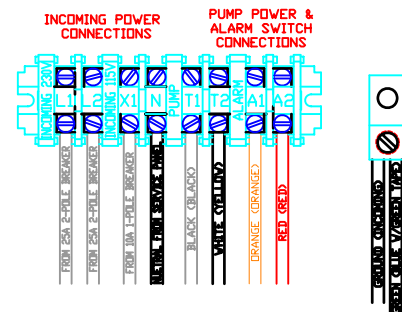
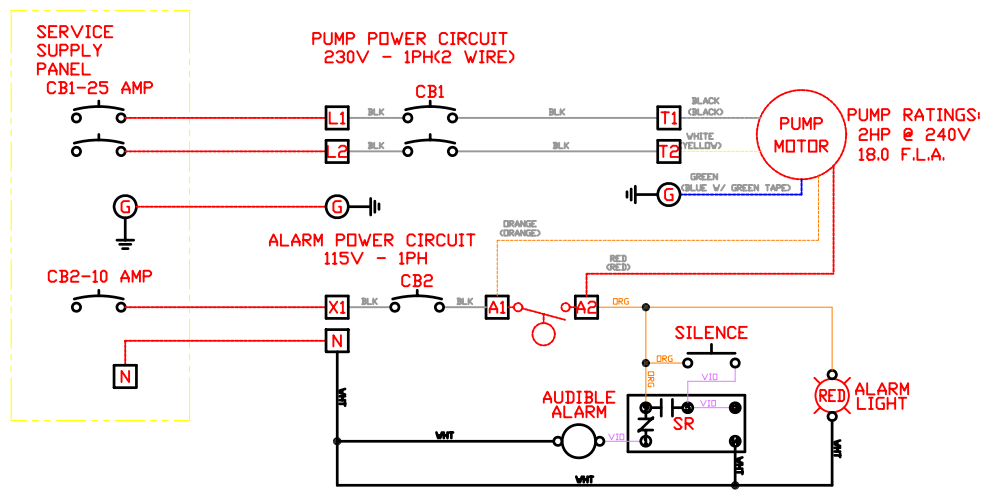


CONNECTION DIAGRAM FOR CP&S 116742 CONTROL PANEL



NOTE- WIRE COLORS FOR DIRECT BURIAL STYLE CABLES ARE IN PARENTHESIS ().



- NOTES:**
1. PANEL GROUND TERMINAL MUST BE CONNECTED TO EARTH GROUND.
 2. FACTORY WIRING IS SHOWN _____
FIELD WIRING IS SHOWN - - - - -
 3. COMPLETE ELECTRICAL ASSEMBLY WILL BE CONSTRUCTED AND LABELED TO CONFORM TO UNDERWRITERS LABORATORIES (U.L.508A) PROCEDURES.

<p>THIS PRINT IS AND CONTAINS PROPRIETARY INFORMATION OWNED EXCLUSIVELY BY CRANE PUMPS & SYSTEMS, INC. THIS RESTRICTION INCLUDES, BUT IS NOT LIMITED TO THE CONDITION THAT THIS PRINT WILL ONLY BE USED AS A RECORD OR TO IDENTIFY OR INSPECT PARTS OR FOR OTHER INFORMATION PURPOSES, AND WILL NOT BE USED TO MANUFACTURE OR PROCURE THE MANUFACTURE OF THE PARTS SHOWN IN THIS PRINT BY ANY OTHER SOURCE THAN CRANE PUMPS & SYSTEMS, INC.</p>	<p>THIS DRAWING IS APPROVED FOR UNCONTROLLED DISTRIBUTION</p>		<p>TITLE</p> <p>PANEL, ALARM, 1500 SERIES</p>		<p>CAGE NO</p> <p>96046</p>
	<p>AS A RESULT OF BARNES CONSTANT PRODUCT IMPROVEMENT PROGRAM, PRODUCT CHANGES MAY OCCUR. AS SUCH, BARNES RESERVES THE RIGHT TO CHANGE PRODUCT WITHOUT PRIOR WRITTEN NOTIFICATION</p>		<p>DWG NO</p> <p>CD116742</p>	<p>REV</p> <p>D</p>	<p>CRANE PUMPS & SYSTEMS</p>
	<p>WWW.BARNES-PS.COM</p>	<p>SHEET</p> <p>1 OF 1</p>			