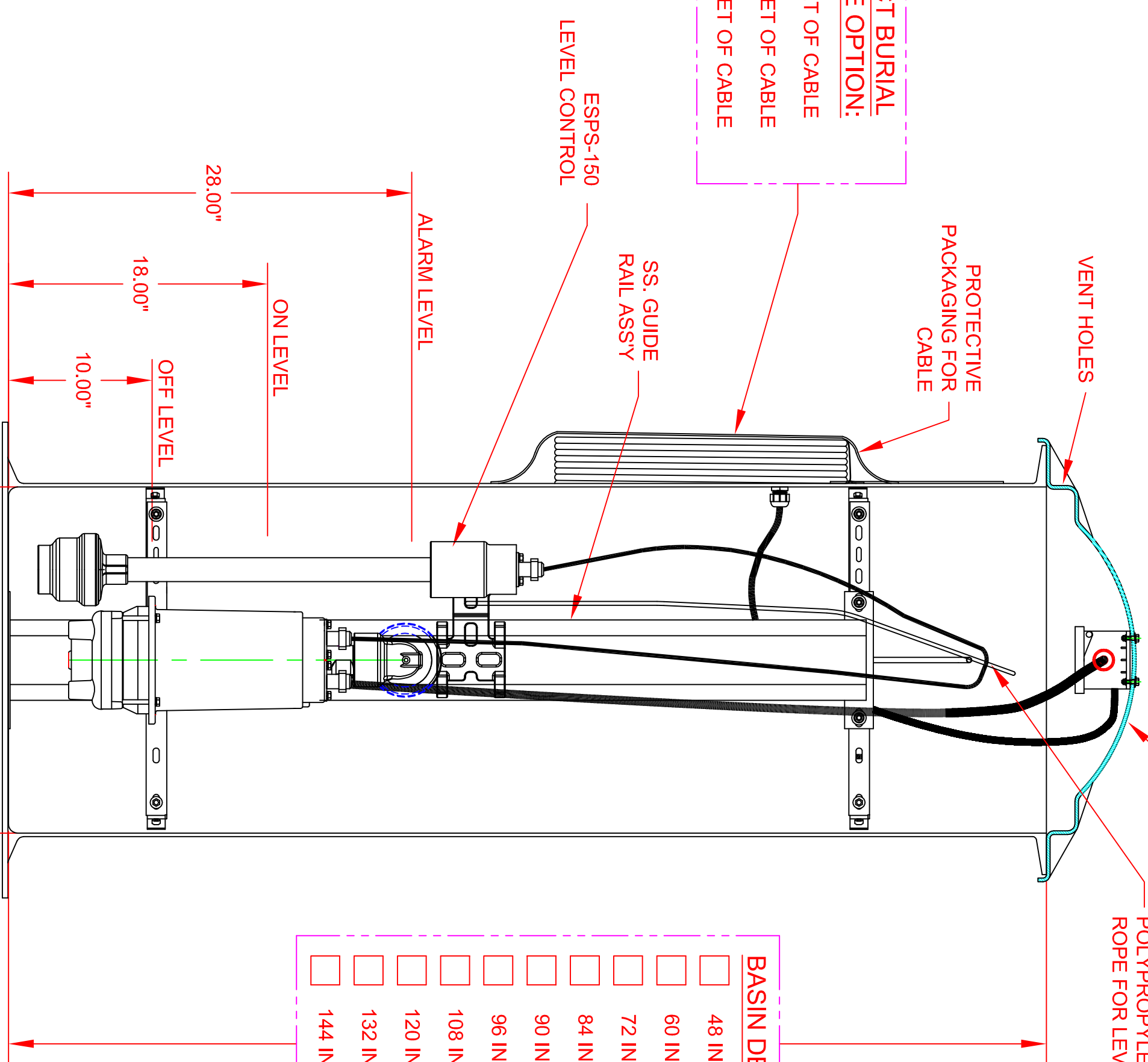


VENT HOLES
POLYCOVER SHOWN
POLYPROPYLENE LIFTING ROPE FOR LEVEL CONTROL

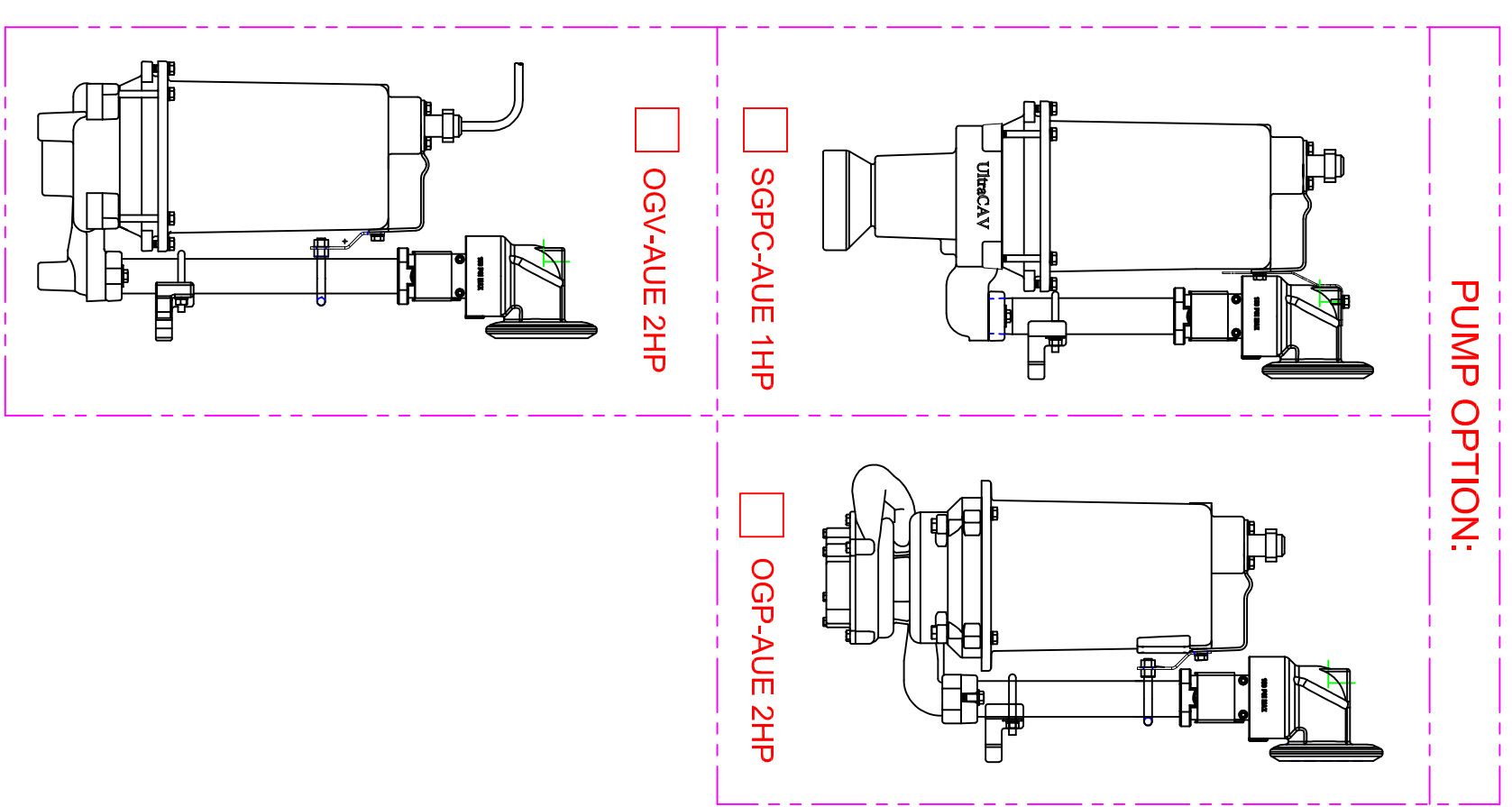
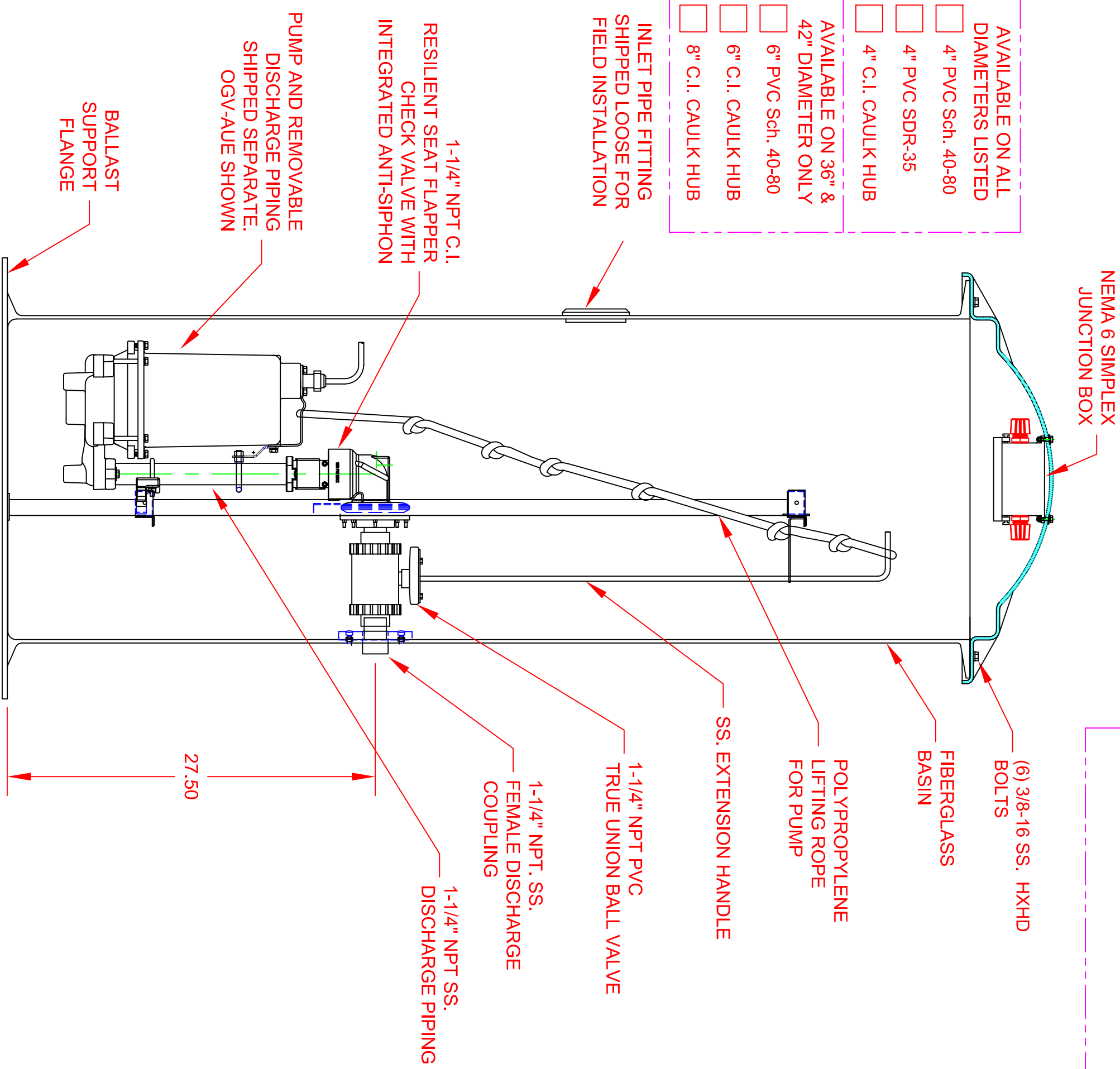
DIRECT BURIAL CABLE OPTION:
 50 FEET OF CABLE
 100 FEET OF CABLE
 150 FEET OF CABLE

BASIN DEPTH:
 48 INCHES
 60 INCHES
 72 INCHES
 84 INCHES
 90 INCHES
 96 INCHES
 108 INCHES
 120 INCHES
 132 INCHES
 144 INCHES

BASIN DIAMETER:
 24 INCHES
 30 INCHES
 36 INCHES
 42 INCHES



AVAILABLE ON ALL DIAMETERS LISTED
 4" PVC Sch. 40-80
 4" PVC SDR-35
 4" C.I. CAULK HUB
 AVAILABLE ON 36" & 42" DIAMETER ONLY
 6" PVC Sch. 40-80
 6" C.I. CAULK HUB
 8" C.I. CAULK HUB



NOTES:
 1) ALL DIMENSIONS TO BE ± 1/4" UNLESS OTHERWISE SPECIFIED.
 2) INTERMEDIATE SUPPORT SUPPLIED FOR DEPTHS 12 FT. AND DEEPER.
 3) CONSULT FACTORY FOR OTHER DEPTHS



THIS PRINT IS AND CONTAINS PROPRIETARY INFORMATION OWNED EXCLUSIVELY BY CRANE PUMPS & SYSTEMS, INC. THIS RESTRICTION INCLUDES, BUT IS NOT LIMITED TO THE CONDITION THAT THIS PRINT WILL ONLY BE USED AS A RECORD OR TO IDENTIFY OR INSPECT PARTS OR FOR OTHER INFORMATION PURPOSES, AND WILL NOT BE USED TO MANUFACTURE OR PROCURE THE MANUFACTURE OF THE PARTS SHOWN IN THIS PRINT BY ANY OTHER SOURCE THAN CRANE PUMPS & SYSTEMS, INC.

THIS DRAWING IS APPROVED FOR UNCONTROLLED DISTRIBUTION
 AS A RESULT OF BARNES CONSTANT PRODUCT IMPROVEMENT PROGRAM, PRODUCT CHANGES MAY OCCUR. AS SUCH, BARNES RESERVES THE RIGHT TO CHANGE PRODUCT WITHOUT PRIOR WRITTEN NOTIFICATION

WWW.BARNES-PS.COM

SHEET 1 OF 1

TITLE

SIMPLEX, BASIN, PW-JBOX, ESPS-150, -AU PUMPS

CAGE NO

96046

DWG NO

CD116068

REV

A

CRANE

PUMPS & SYSTEMS

